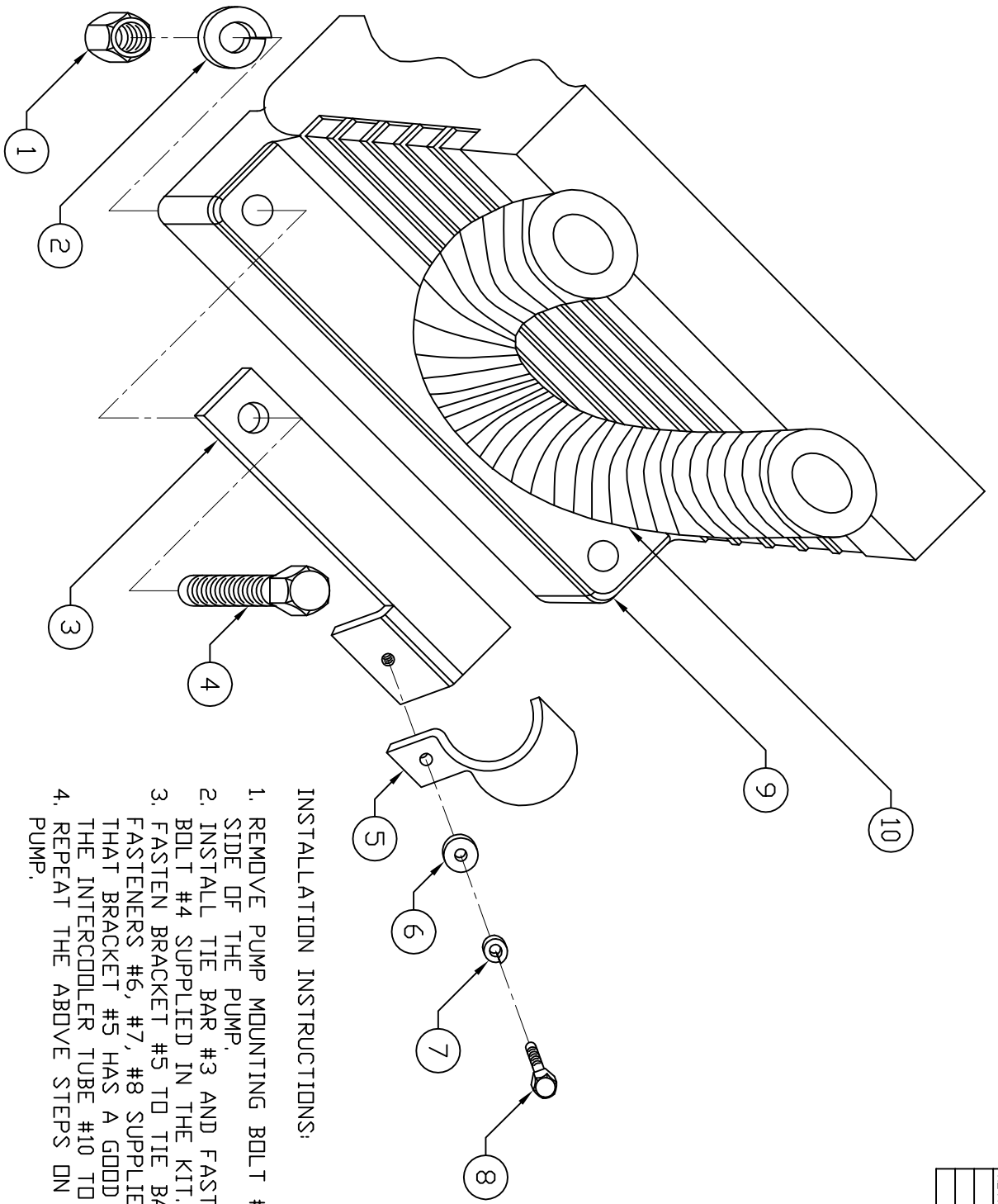


REV.	DATE	REVISION DESCRIPTION	PCN NO.
		NEW	00-41

NO.	DESCRIPTION
1	5/8" NUT
2	LOCKWASHER
3	INTERCODLER TIE BAR
4	5/8" BOLT
5	S-CLAMP
6	1/4" WASHER
7	1/4" LOCKWASHER
8	1/4" BOLT
9	BASE OF PUMP
10	FIN INTERCODLER



INSTALLATION INSTRUCTIONS:

1. REMOVE PUMP MOUNTING BOLT #4 FROM THE RIGHT SIDE OF THE PUMP.
2. INSTALL TIE BAR #3 AND FASTEN IN PLACE TIGHT USING BOLT #4 SUPPLIED IN THE KIT.
3. FASTEN BRACKET #5 TO TIE BAR #3 USING FASTENERS #6, #7, #8 SUPPLIED IN THE KIT. MAKE SURE THAT BRACKET #5 HAS A GOOD CONTACT AND TENSION ON THE INTERCODLER TUBE #10 TO PREVENT ANY VIBRATION.
4. REPEAT THE ABOVE STEPS ON THE LEFT SIDE OF THE PUMP.

IMPORTANT NOTE: This print is the confidential property of DEVAIR, INC. It is not to be used or reproduced in any manner, nor submitted to other parties for examination without the prior approval of DEVAIR, INC.

FRACTIONAL DIMENSIONS: ±1/32
 DECIMAL DIMENSION: ±.005
 UNLESS OTHERWISE SPECIFIED

DEVAIR

NAME OF PROJECT	DESCRIPTION OF DRAWING
INTERCODLER TIE BAR	TIE BAR ASSEMBLY
DRAWN BY CHECKED BY DATE SCALE	DRAWING NO. SHI NO/REV
ADAM SMITH IFLSDDFI DCT 4/00 N.T.S.	KK-9850